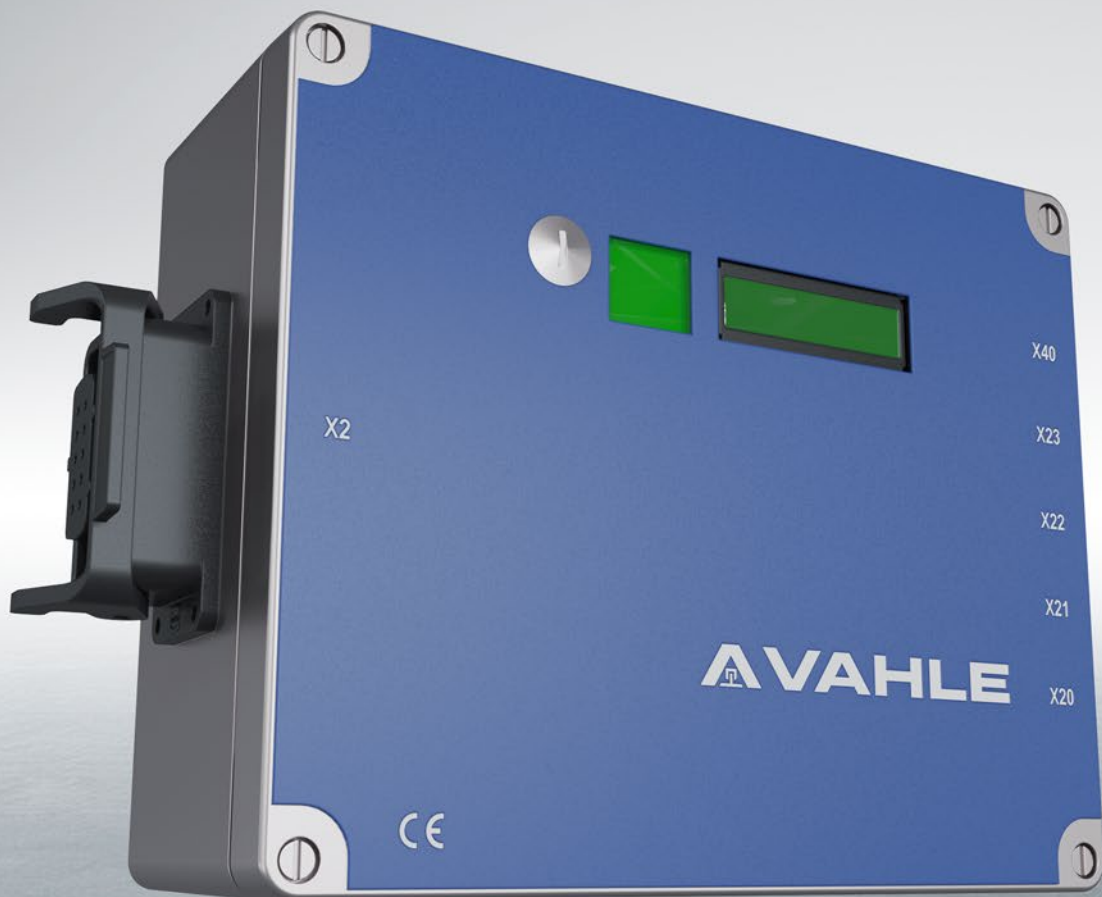
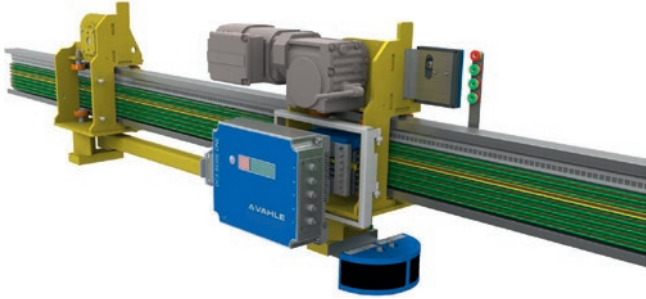


# VCS1

VDRIVE - CONTROL SYSTEMS



## vDRIVE – KEY HIGHLIGHTS

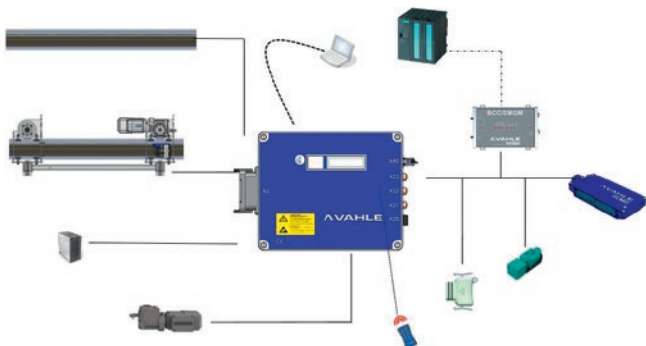


### SYSTEM

VAHLE vDRIVE system provides a wide range of power stages between 0.75 kW and 1.5 kW which offers a perfect match up for any Electrified Monorail System (EMS). Additionally, a wide range of I/O allows a maximum flexibility in any application. The vDRIVE portfolio also includes equipments for positioning, distance control and communication.

### COMMUNICATION

Communication between stationary and mobile consumers becomes a more important role in automated processes. VAHLE vDRIVE systems provide many different communication systems to ensure the best solution for your application. The options include the half wave bus, rail bus and VAHLE SMGM – the exclusive slotted microwave guide mini solution.



### CERTIFICATIONS

VAHLE vDRIVE fulfills all required standards and conforms to the “Low Voltage Directive”, EMC requirements and specific test methods, and the Electromagnetic Compatibility Regulations.

## STATUS INFORMATIONEN

Every vDRIVE VCS system is delivered with a two row OLED display to offer an on demand status and further operational information. DC link voltage, actual current, temperature, frequency or communication stats can be called up at any time. For maintenance, a computer can be added via a USB connection to the control system. With the VAHLE vDRIVE EMS configurator, internal stored data and parameters can be read, rewritten or saved for monitoring.

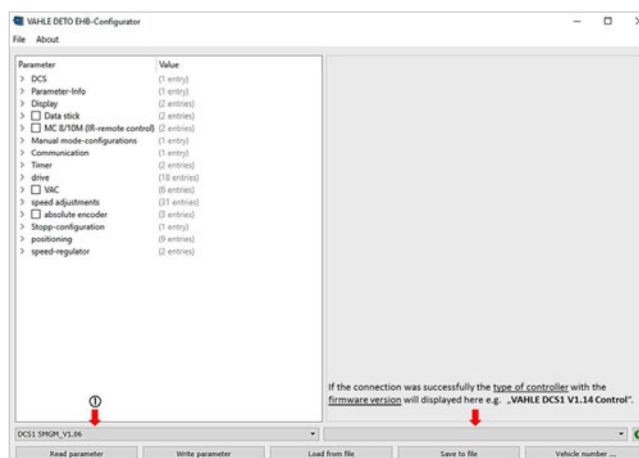


## MANUAL SERVICE

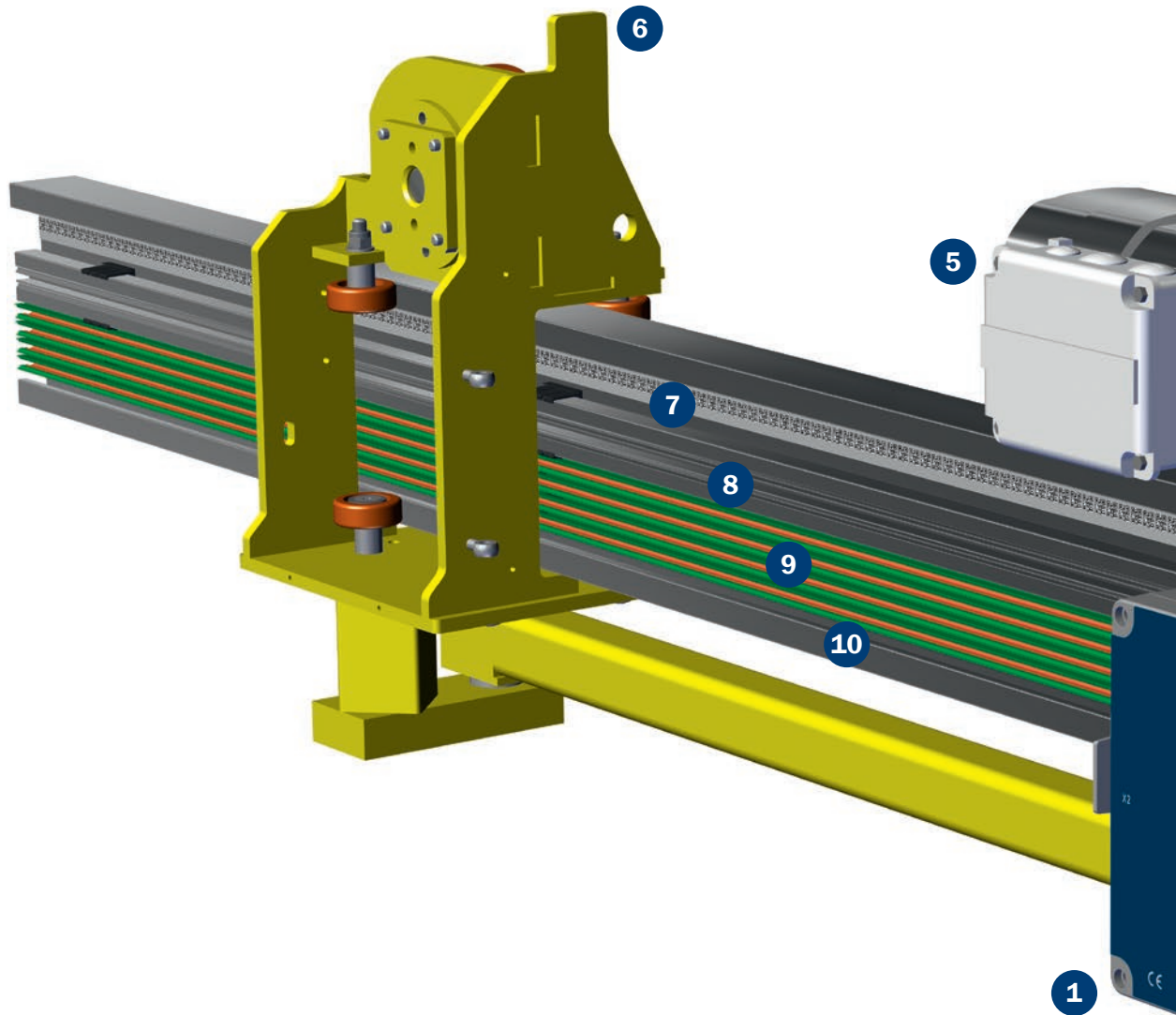
For convenient maintenance, VAHLE offers an exclusive infrared remote control. Developed for vDRIVE especially, the remote control enable a simple navigation to access any required internal information in a short amount of time.

## CONFIGURATOR

VAHLE vDRIVE EMS configurator program allows control and monitoring for complete system performance. Important system parameter, such as electrical information, motor speed, and stop configuration, can be read and adapted. Faults and interferences can be recorded, allowing fast diagnostics and solutions.



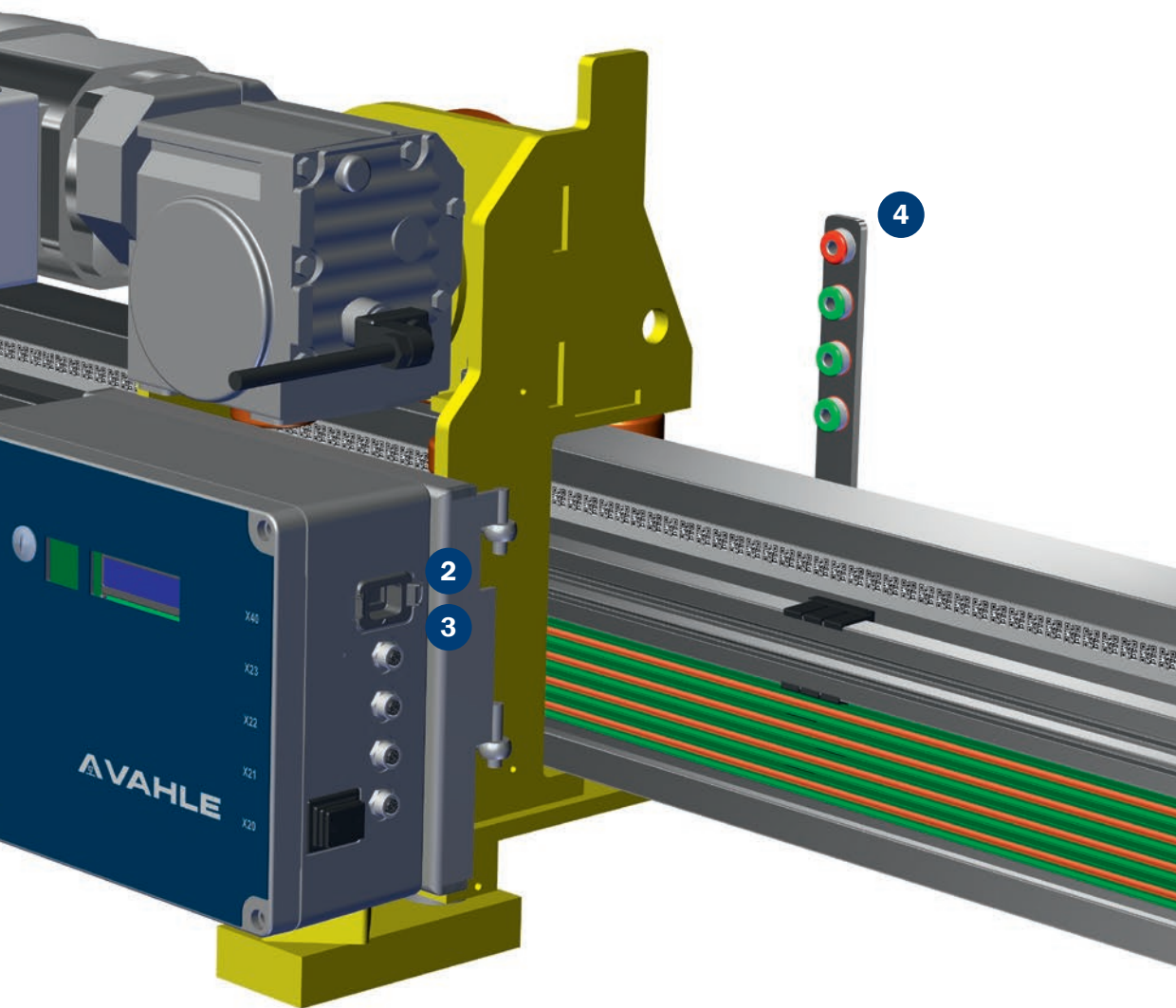
## vDRIVE – SYSTEM OVERVIEW



- 1 VCS1
- 2 APOS Optic Reading Head (underlying)
- 3 Railbus Collector (underlying)
- 4 Positioning
- 5 Motor\*
- 6 EMS Trolley\*
- 7 APOS Optic Codestrip
- 8 SMGM Profile
- 9 Electrical Monorail System U10
- 10 EMS Profile\*

Note: DSC1 is now called VCS1.

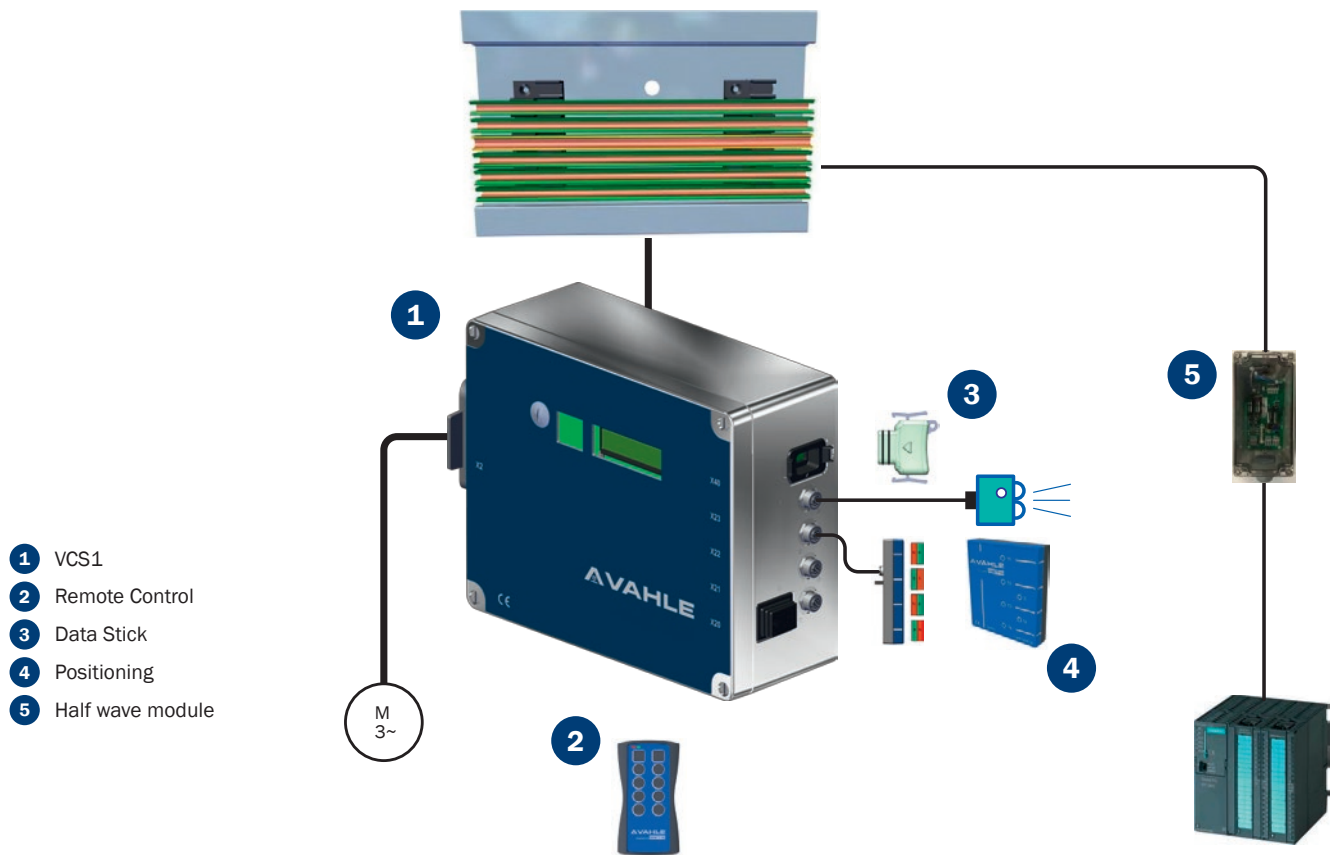
\* The EMS components are not part of VAHLE delivery scope.





# VCS1

## VCS1-HW – HALF WAVE COMMUNICATION



## RANGE OF PRODUCTS

Description		Order No.
vDRI_DCS1-075-HW-02	Control System with 0.75 kW frequency inverter and half wave communication	10018098
vDRI_DCS1-110-HW-02	Control System with 1.1 kW frequency inverter and half wave communication	10018099
vDRI_DCS1-150-HW-02	Control System with 1.5 kW frequency inverter and half wave communication	10018100
vDRI_IC-CC-C V1.1	Curve Block Control System / 400VAC / 1x Inlet / 1x Exit	10011374
vDRI_IC-SB-D-V2.1L-400	Separating block / Version 1 / Full cycle interface / 400 VAC	10023036
vDRI_IC-SB-D-V2.1L-480	Separating block / Version 1 / Full cycle interface / 480 VAC	10023037
vDRI_IC-SB-D-V2.2L-400	Separating block / Version 2 / Fault negative half cycle / 400 VAC	10023038
vDRI_IC-SB-D-V2.2L-480	Separating block / Version 2 / Fault negative half cycle / 480 VAC	10023040
vDRI_IC-SB-D-V2.4L-400	Separating block / Version 4 / Fault potential-free contact / 400 VAC	10022742
vDRI_IC-SB-D-V2.4L-480	Separating block / Version 4 / Fault potential-free contact / 480 VAC	10023042
vDRI_MC8/10M	Remote Control for VCS	0777006
vDRI_DS-VD	Data Stick for VCS	10010330
vDRI_EMD4P	Positioning	0777004
vDRI_IC-HW-1K	Half wave module stationary	10010345

## TECHNICAL DATA

### Electrical data

Nominal power .....	0.75 kW/1.1 kW/1.5 kW
Supply voltage .....	400 ... 480 VAC $\pm 10\%$ 3 phase symmetric
Supply net system .....	TT, TN (grounded neutral)
Inrush current peak .....	6 A
Supply frequency .....	45 ... 65 Hz
Output current nominal .....	1.8 A/2.6 A/3.5 A
Output current peak (60s) .....	3.0 A/4.0 A/5.0 A
Output frequency .....	0 ... 120 Hz
Power loss .....	22 W/40 W/60 W
Auxiliary (external Sensors) .....	24 VDC, $\pm 10\%$ , 0.5 A
Nominal voltage break .....	185 VDC
Maximum current break .....	0.5 ADC

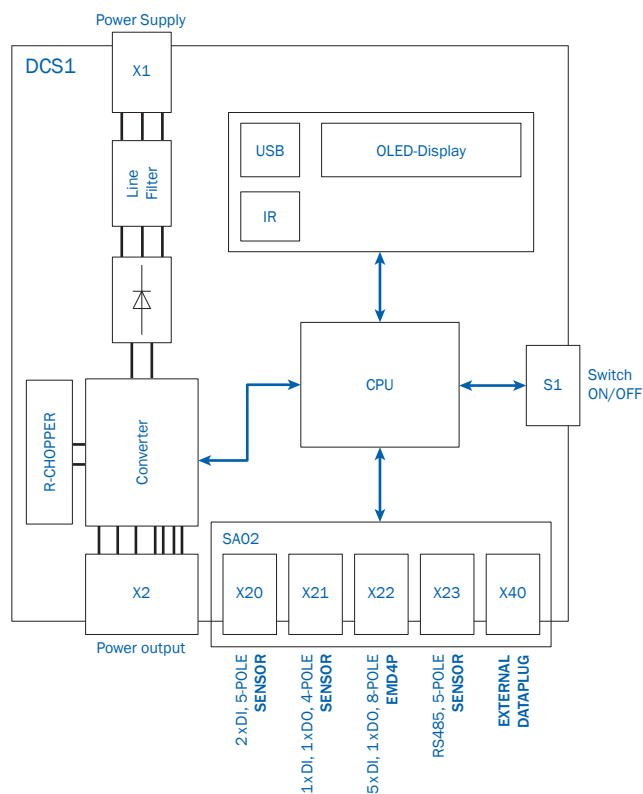
### Mechanical data

Dimension* .....	280 x 230 x 110 mm
Ambient temperature .....	0 ... +40 °C non-condensing
Shock .....	3M4
Vibration .....	7M2
Environment .....	General industrial
Cooling .....	Convection
Protection rating .....	3K3 (-10 ... +45 °C) @ 100 % duty 3K3 (-0 ... +50 °C) @ 70 % duty
Connection power X1 .....	VAHLE connector
Connection motor X2 .....	HAN10B, 10-pole+PE
Adapter for I/O .....	SA02

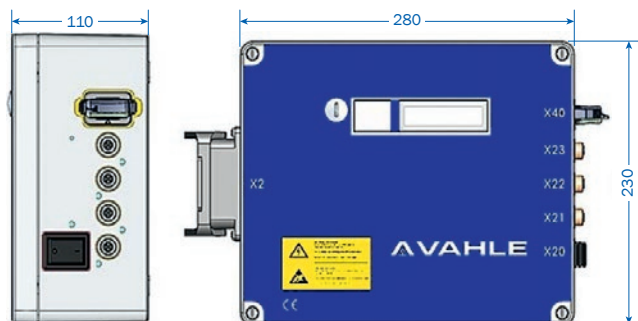
### Communication data

Broadcast .....	Conductor bar
Technology .....	Coal
Absolute address participant .....	n/a
Max. participants/segment .....	n/a
Data rate .....	n/a
Transmission .....	n/a
Fieldbus mobile .....	n/a
Equipment (stationery/mobile) .....	Integrated in VCS
Positioning .....	EMD4P

## BLOCK DIAGRAM



## DIMENSIONS

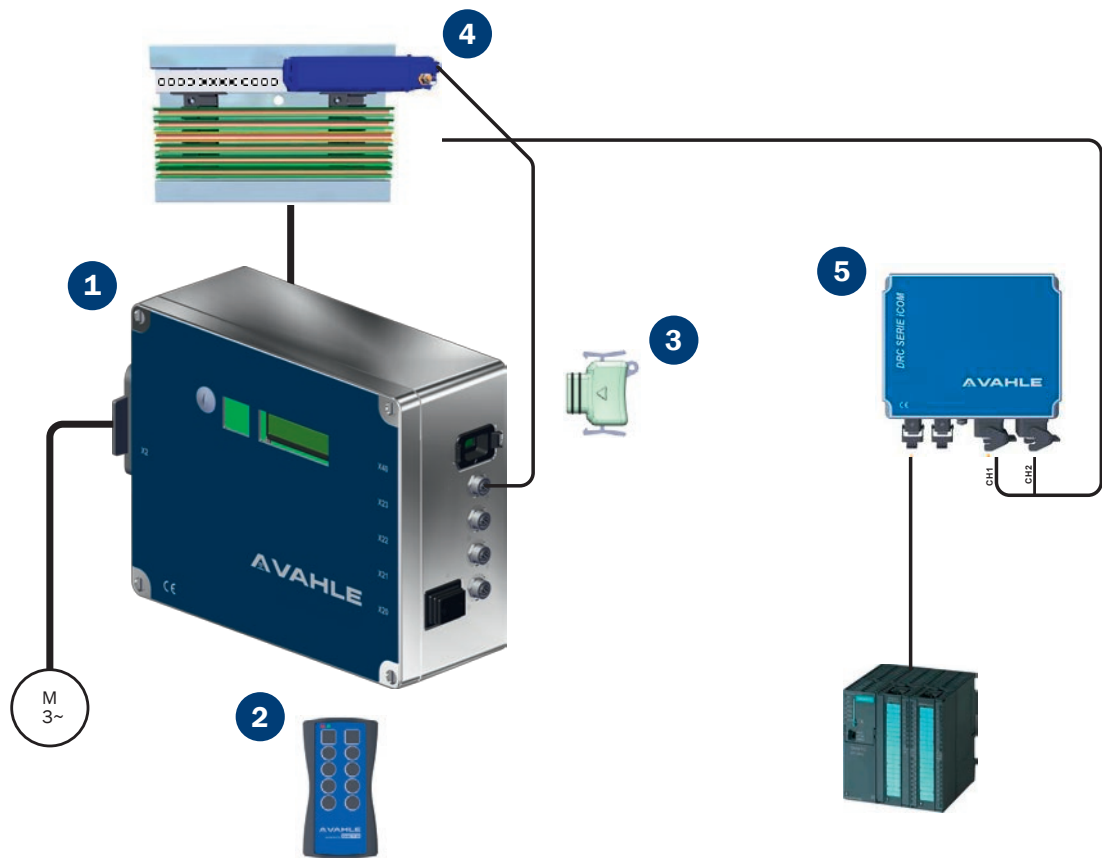


Note: DSC1 is now called VCS1.

\* Please notice the different dimensions of VCS with 1.5 kW nominal power: 280 x 230 x 140 mm.

# VCS1

## VCS1-RB – RAILBUS



- 1 VCS1
- 2 Remote Control
- 3 Data Stick
- 4 APOS optic
- 5 Railbus Module

## RANGE OF PRODUCTS

Description		Order No.
vDRI_DCS1-075-RB-02	Control System with 0.75 kW frequency inverter and half railbus communication	10018095
vDRI_DCS1-110-RB-02	Control System with 1.1 kW frequency inverter and half railbus communication	10018096
vDRI_DCS1-150-RB-02	Control System with 1.5 kW frequency inverter and half railbus communication	10018097
vDRI_IC-SB-D-V2.3L-400	Separating block / Version 3 / Fault potential-free contact / 400 VAC	10021605
vDRI_IC-SB-D-V2.3L-480	Separating block / Version 3 / Fault potential-free contact / 480 VAC	10023041
vDRI_MC8/10M	Remote Control	0777006
vDRI_DS-VD	Data Stick	10010330
APOS Optic	See vPOS catalogue	
vDRI_IC-PCB-2k-PN	Railbus Module Stationary	10011521
vDRI_Functionbloc/TIA_Portal	Option	



## TECHNICAL DATA

### Electrical data

Nominal power .....	0.75 kW/1.1 kW/1.5 kW
Supply voltage .....	400 ... 480 VAC $\pm 10\%$ 3 phase symmetric
Supply net system .....	TT, TN (grounded neutral)
Inrush current peak .....	6 A
Supply frequency .....	45 ... 65 Hz
Output current nominal .....	1.8 A/2.6 A/3.5 A
Output current peak (60s) .....	3.0 A/4.0 A/5.0 A
Output frequency .....	0 ... 120 Hz
Power loss .....	22 W/40 W/60 W
Auxiliary (external Sensors) .....	24 VDC, $\pm 10\%$ , 0.5 A
Nominal voltage break .....	185 VDC
Maximum current break .....	0.5 ADC

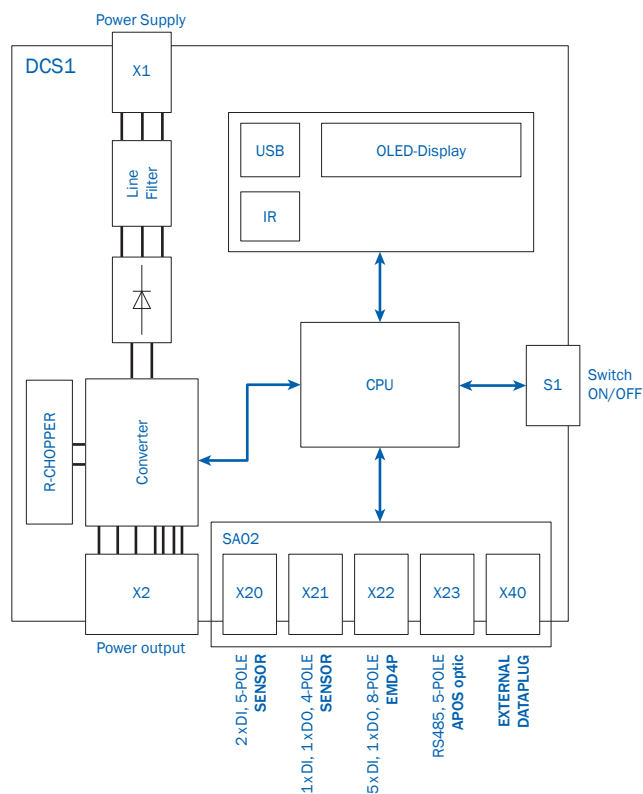
### Mechanical data

Dimension* .....	280 x 230 x 110 mm
Ambient temperature .....	0 ... +40 °C non-condensing
Shock .....	3M4
Vibration .....	7M2
Environment .....	General industrial
Cooling .....	Convection
Protection rating .....	3K3 (-10 ... +45 °C) @ 100 % duty 3K3 (-0 ... +50 °C) @ 70 % duty
Connection power X1 .....	VAHLE connector
Connection motor X2 .....	HAN10B, 10-pole+PE
Adapter for I/O .....	SA02

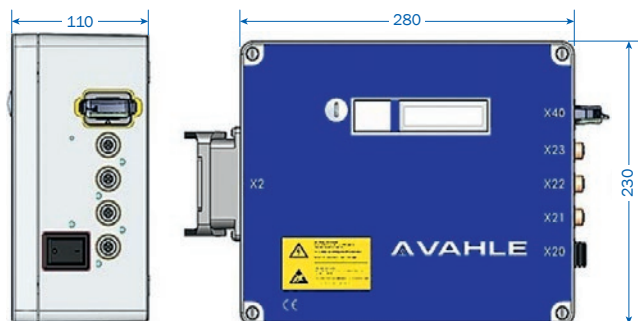
### Communication data

Broadcast .....	Conductor bar
Technology .....	Coal
Absolute address participant .....	n/a
Max. participants/segment .....	n/a
Data rate .....	n/a
Transmission .....	n/a
Fieldbus mobile .....	n/a
Equipment (stationery/mobile) .....	Integrated in VCS
Positioning .....	APOS Optic

## BLOCK DIAGRAM



## DIMENSIONS

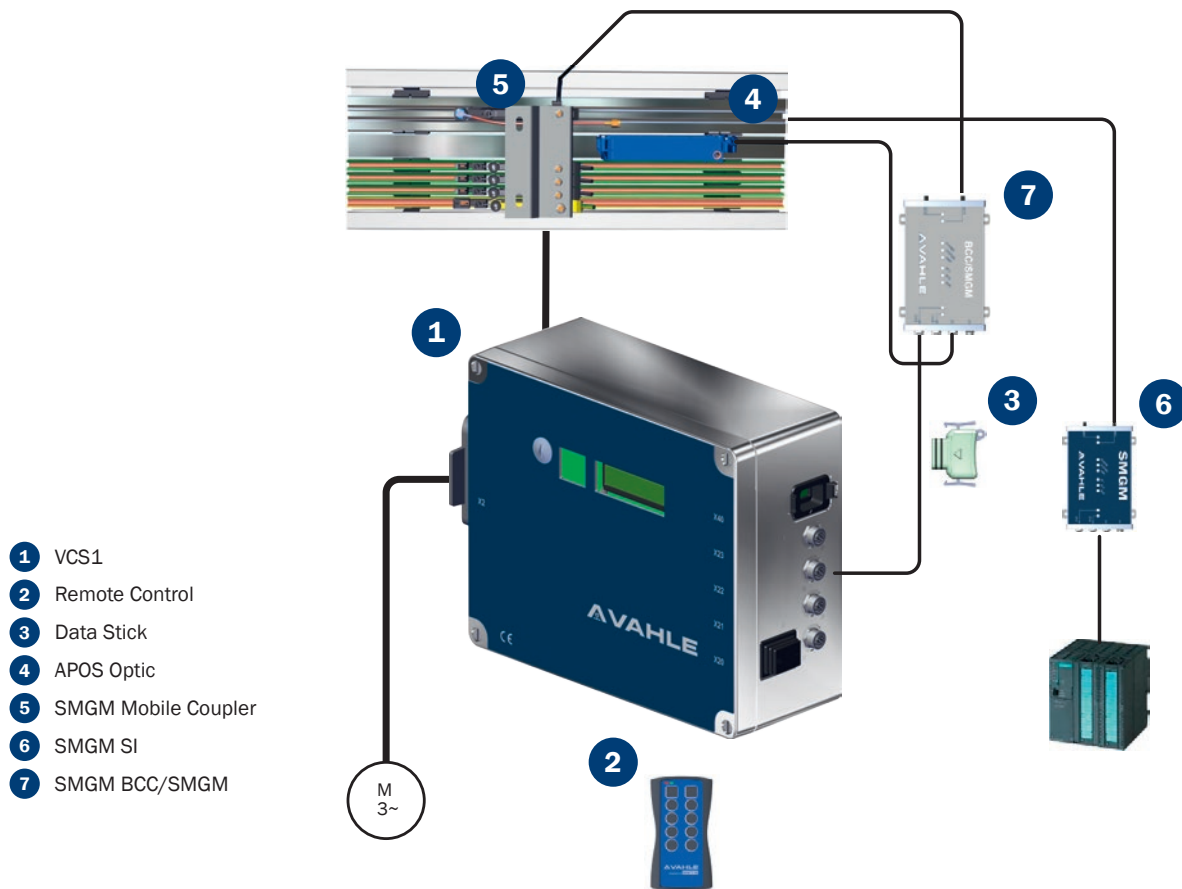


Note: DSC1 is now called VCS1.

\* Please notice the different dimensions of VCS with 1.5 kW nominal power: 280 x 230 x 140 mm.

# VCS1

## VCS1-SMGM – SLOTTED GUIDED MICROWAVE MINI



## RANGE OF PRODUCTS

Description		Order No.
vDRI_DCS1-075-SMGM-06	Control System with 0.75 kW frequency inverter and SMGM communication	10018101
vDRI_DCS1-110-SMGM-06	Control System with 1.1 kW frequency inverter and SMGM communication	10018102
vDRI_DCS1-150-SMGM-06	Control System with 1.5 kW frequency inverter and SMGM communication	10018103
vDRI_MC8/10M	Remote Control	0777006
vDRI_DS-VD	Data Stick	10010330
APOS Optic	See vPOS catalogue	
SMGM	See vCOM catalogue	

## TECHNICAL DATA

### Electrical data

Nominal power .....	0.75 kW/1.1 kW/1.5 kW
Supply voltage .....	400 ... 480 VAC ±10 % 3 phase symmetric
Supply net system .....	TT, TN (grounded neutral)
Inrush current peak .....	6 A
Supply frequency.....	45 ... 65 Hz
Output current nominal.....	1.8 A/2.6 A/3.5 A
Output current peak (60s).....	3.0 A/4.0 A/5.0 A
Output frequency .....	0 ... 120 Hz
Power loss.....	22 W/40 W/60 W
Auxilliary (external Sensors) .....	24 VDC, ±10 %, 0.5 A
Nominal voltage break.....	185 VDC
Maximum current break .....	0.5 ADC

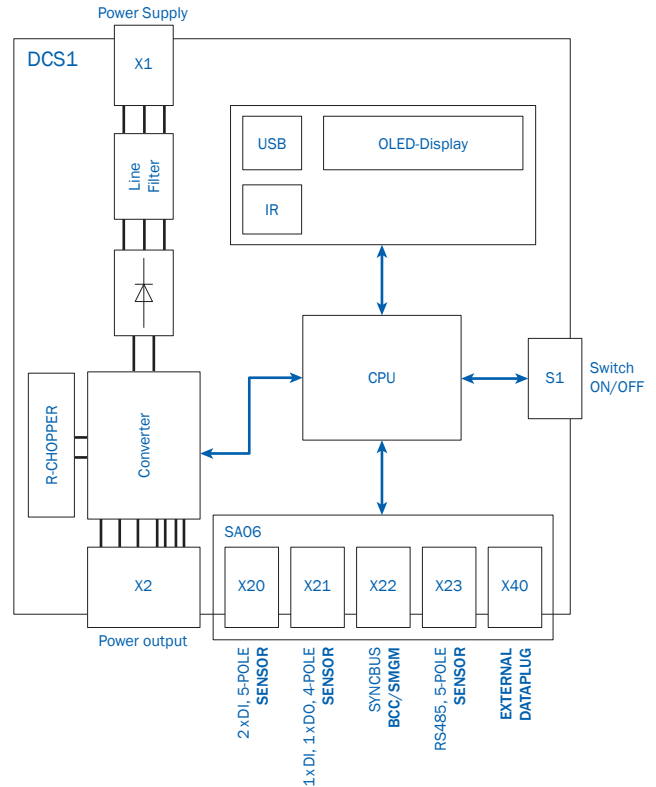
### Mechanical data

Dimension* .....	280 x 230 x 110 mm
Ambient temperature.....	0 ... +40 °C non-condensing
Shock .....	3M4
Vibration.....	7M2
Environment .....	General industrial
Cooling .....	Convection
Protection rating.....	3K3 (-10 ... +45 °C) @ 100 % duty 3K3 (-0 ... +50 °C) @ 70 % duty
Connection power X1.....	VAHLE connector
Connection motor X2 .....	HAN10B, 10-pole+PE
Adapter for I/O.....	SA06

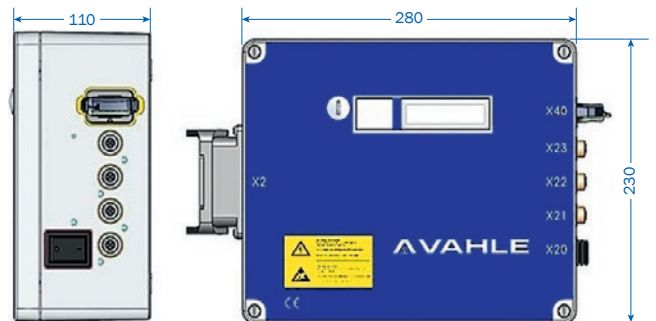
### Communication data

Broadcast .....	Slotted waveguide
Technology.....	Reading head
Absolute adress participant .....	n/a
Max. participants/segment.....	n/a
Data rate.....	n/a
Transmission .....	n/a
Fieldbus mobile.....	n/a
Equipment (stationery/mobile).....	Integrated in VCS
Positioning .....	APOS Optic

## BLOCK DIAGRAM



## DIMENSIONS



Note: DSC1 is now called VCS1.

\* Please notice the different dimensions of VCS with 1.5 kW nominal power: 280 x 230 x 140 mm.



**Paul Vahle GmbH & Co. KG**

Westicker Str. 52  
59174 Kamen  
Germany

+49 2307 7040  
info@vahle.com  
vahle.com

**You can find your local contact at:**

[vahle.com/contact](http://vahle.com/contact)